

SPECIFICATION, INSTALLATION, AND MAINTENANCE MANUAL

High Performance Composite (HPC) and Vitreous China (VC) Models

the innovative brand since 1991



ANZA™ MODEL #2005 (HPC)



BAJA™ MODEL #2104 (VC)

Please observe 10 day merchandise return policy.

IMPORTANT!



■ ■ ■ ■ DO NOT INSTALL NO-FLUSH™ URINALS: ■ ■ ■ ■

1. ON CLOGGED OR UNCLEARED SEWER LINES or
2. TO UNVENTED DRAIN LINES
3. NOT RECOMMENDED FOR COPPER DRAIN LINES

TO MAINTAIN WARRANTY, SEWER LINES NEED TO BE PROFESSIONALLY CLEANED (SNAKED) AND WORK DOCUMENTED PRIOR TO INSTALLATION. NO WARRANTIES, EITHER ASSUMED OR IMPLIED, ARE GIVEN FOR PROPER FUNCTIONING OF NO-FLUSH™ URINALS WITHOUT DOCUMENTATION.

CHECK ROUGH-IN HEIGHT BEFORE INSTALLATION FOR CORRECT URINAL HEIGHT.

In keeping with our policy of product improvement, Waterless Co. reserves the right to change product specifications at any time without notice. It is the responsibility of the specifier, installer and wholesale seller to confirm specification at time of sale or installation. No responsibility is assumed, claimed or accepted by Waterless Co. Inc.

NO-FLUSH™ URINAL ACCESSORIES



iPack® #6009

- 1x1114 BlueSeal®
- 1x4001 X-Traptor® Tool
- 1x4002 Portion Aid



BlueSeal® #1114
Sealing Liquid
946ml Bottle



**Nviroclean
Cleaner™ #1614**
The Simple Cleaner...
Just Spray and Walk Away!
946ml Bottle



Portion Aid #4002
90ml Measuring Device for
BlueSeal



EcoTrap® #3001
Drain Insert



X-Traptor Tool #4001
Stainless Steel EcoTrap® Tool



PVC Urinal Flange #PTU110

INSTALLATION INSTRUCTIONS

HPC Model #2005

VC Model #2104

For additional installation instructions that pertain to each individual urinal, please see next two pages.

NOTE:

No flushometer needed for fixture, provide suitable reinforcements for all wall supports and carriers. Dimensions for fixtures are nominal and may vary. Measurements are subject to change or cancellation. No responsibility is assumed.

High Performance Composite = HPC Vitreous China = VC

Please leave this Installation/Care sheet with the owner/user as it contains important information.

COMPLETE KIT BOX CONTENTS:

2-EcoTrap® Inserts; 2-Wall Hangers; 4-Washers; 4-Plastic Anchors;
4-Screws; 2-All-Thread 5/16" Studs with nuts; 1-Rubber Gasket;
Model #2104 ONLY: 2-EcoTrap® Inserts; 1- Wall Hanger;
2-Washers; 2-Plastic Anchors; 2-Screws; 2-All-Thread
5/16" (8mm) Studs with nuts; 1-Rubber Gasket

TOOLS NEEDED:

Screwdriver; 5/16" (8mm) Masonry Drill Bit and Drill; Putty
Knife; Water Supply Cap (for retrofit only); Wrench; Caulk

BEFORE YOU BEGIN:

- **Do not** install *No-Flush™* urinals without prior waste line clean out. **Do not double trap** (remove any other trap in drain line).
- Please assure that the new urinal has the correct rough-in dimensions.
- When working with highly polished fiber glass or ceramic products, please use care in handling the unit during installation to avoid scratches or chip marks.
- Over-tightening bolts and screws may result in damage to the urinal.
- Measure drain line height for correct urinal height.
- **Installation must be in accordance with AS/NZS 3500.2.**

Prior to installing a waterless wall hung urinal to an existing system, the installer must determine the materials of the pipes in the existing system. The undiluted discharge from a waterless urinal shall not be transported through copper or copper alloy pipe work.

BEFORE YOU INSTALL URINAL:

Do not install *No-Flush™* urinal without prior waste line clean out. Existing scaling and debris in the waste line will inhibit the flow of waste from Waterless™ urinal and its proper functioning can not be guaranteed. *No-Flush™* urinals are engineered, however, to reduce waste line scaling.

TO INSTALL NO-FLUSH™ URINAL:

- Assure that flange holes are lined up horizontally. Insert 5/16" (8mm) All-Thread studs into existing flange holds.
- Set supplied rubber gasket on existing flange. **Do not use wax gasket.** If using wax gasket, assure that no wax materials protrude into interior drain line openings.
- **SEE PAGE 4 FOR SPECIFIC URINAL MOUNTING HEIGHT INSTRUCTIONS.**
- Install wall hanger(s) with provided anchors and screws.
- Carefully align/set urinal onto wall hanger(s) and lower urinal onto flange studs through *AllFlange™* recess in urinal. If alignment is needed, remove urinal, reset hanger(s) and hang urinal again as described above.
- Use washers and nuts and hand tighten on studs to hold urinal in place. Then tighten nuts evenly. **Avoid over-tightening.**
- **Caution:** Do not rock or lift urinal after placement. Seal gasket may slip and not be water tight. Do not double ring for leak repair.
- Using a bucket of water, at least 5 gallons, pour water down urinal drain hole to test seal tightness. Check for leaks on bottom of urinal and wall.
- Caulk urinal, leaving approximately 8" (203mm) on bottom of urinal uncaulked. Attach tile label above urinal on wall (where available).

INITIAL START-UP:

Wipe urinal clean with soft moist cloth. Take enclosed plastic EcoTrap® insert. Fill it with water. Set EcoTrap® insert into trapway. **Push down below rim of trapway.** Add 90ml of BlueSeal® trap liquid. **Done!** (Note: Plumber's grease can be used around edges of EcoTrap® insert to ease insertion into trapway.)

CLEANING AND CARE:

Do not use any harsh abrasive cleaners as those can harm the surface effectiveness and thereby void the product's warranty. NviroClean™ (#1614) is a very effective and efficient cleaner. Simply spray and walk away!

Anza™

#2005 (HPC)

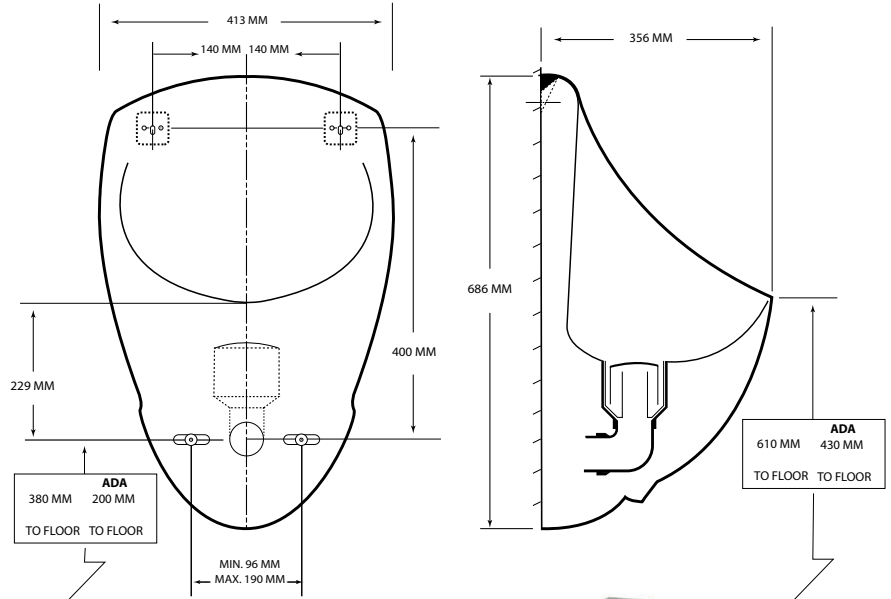
ANZA™ SPECIFICATIONS

Rough-in to be 380mm off floor for 610mm lip to floor dimensions.

ADA Rough-in to be 200mm off floor for 430mm lip to floor dimensions.

50mm PVC DWV waste pipe to be supplied flush to the wall surface.

Weight: 8 kgs



Important note:

Ensure the flange bolts are inserted in to the outer holes of the urinal flange prior to fixing the urinal flange to the waste pipe.



URINAL FLANGE ADAPTOR

Baja™

#2104 (VC)

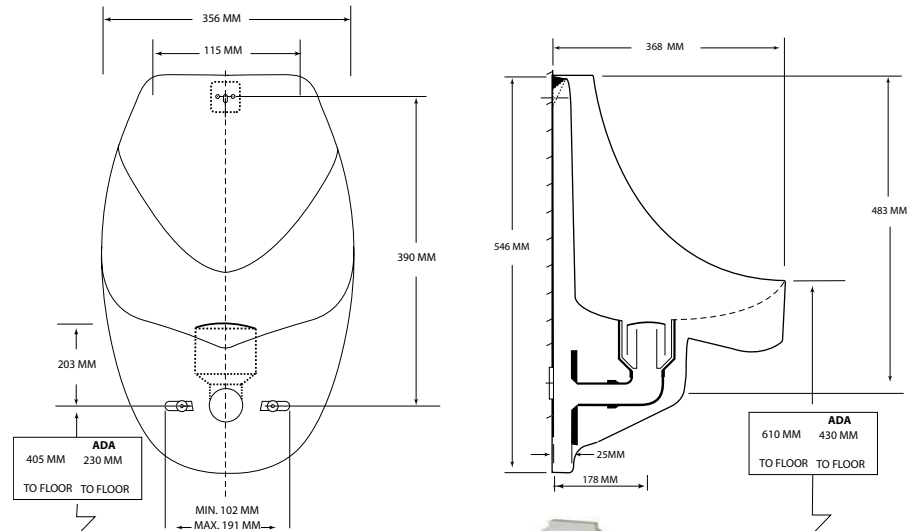
BAJA™ SPECIFICATIONS:

Rough-in to be 405mm off floor for 610mm lip to floor dimensions.

ADA Rough-in to be 230mm off floor for 430mm lip to floor dimensions.

50mm PVC DWV waste pipe to be supplied flush to the wall surface.

Weight: 13 kgs



Important note:

Ensure the flange bolts are inserted in to the outer holes of the urinal flange prior to fixing the urinal flange to the waste pipe.



URINAL FLANGE ADAPTOR



www.waterlessaustralia.com.au

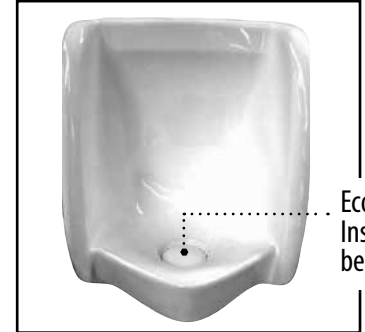
URINAL INITIAL SET-UP



1. After urinal is installed, test for water tightness by pouring a bucket of water into the open drain hole of urinal. If no water leak is detected, caulk around the urinal, leaving approx. 200mm on the bottom of the urinal uncaulked. Wipe urinal clean.



2. Take supplied *EcoTrap*® and fill with water under faucet in sink. Fill until full or water overflows on bottom.



3. Insert the water filled *EcoTrap*® into the urinal drain opening . **IMPORTANT: then press *EcoTrap*® by hand below rim.**



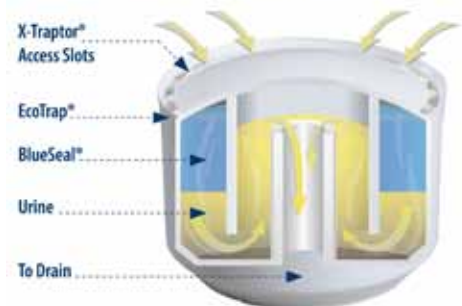
4. Insert and tighten Portion-Aid measuring device onto *BlueSeal*® quart bottle. Hold bottle upright. Squeeze bottle to fill Portion-Aid to 90ml Then simply pour *BlueSeal*® from Portion-Aid into *EcoTrap*®. **Done!**

EcoTrap® Principle

- a. Urine flows down into the patented Vertical *EcoTrap*® drain insert.
- b. In the *EcoTrap*® the urine passes through a floating layer of *BlueSeal*® liquid, which forms a barrier that prevents sewer vapors from escaping into the restroom atmosphere.
- c. Urine under the barrier layer overflows into the central tube and runs down into the conventional drain line.

How it Works!

Cross-Section of the Patented Vertical *EcoTrap*®



TROUBLESHOOTING

PROBLEM	CAUSE	REMEDY
There is an odor coming from the urinal.	<ol style="list-style-type: none"> 1.) <i>BlueSeal</i>® is depleted. 2.) <i>EcoTrap</i>® is not seated below rim. 3.) Urinal is not connected properly to the drain. 	<p>If odor comes from urinal trap, add <i>BlueSeal</i>®. Push <i>EcoTrap</i>® down below rim.</p> <p>If odor comes from below urinal, remove and reset urinal to wall and drain line.</p> <p>Also check floor drain if odor comes from here; if so, add 2 litres of water to floor drain and add 90ml of EverPrime™, our great floor drain sealer.</p>
Trap does not flush/flow.	<ol style="list-style-type: none"> 1.) The <i>EcoTrap</i>® is full. 2.) The drain line is plugged. 3.) The system is double trapped. 	<p>Replace the <i>EcoTrap</i>® per Maintenance Instructions.</p> <p>Remove the <i>EcoTrap</i>® and snake the drainline.</p> <p>Remove the drain line trap so that only the <i>EcoTrap</i>® is the trap for the system.</p>

MAINTENANCE INSTRUCTIONS: BLUESEAL REFILL

DO NOT REMOVE TRAP FOR REFILL

One 90ml refill will last for approx. 1,500 uses.

No need to refill daily!! See interval chart to the right.



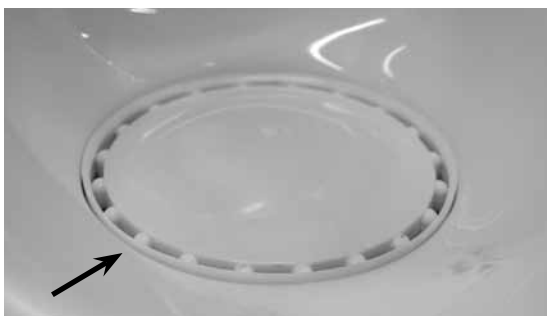
BlueSeal® Trap Liquid Estimated Intervals

Approximate users per day per urinal	Monthly 90ml BlueSeal® refills
1 - 75*	Monthly
76 - 150*	Twice a Month
151 - 225*	Three Times a Month
226 - 300*	Weekly
* Based on a 5 day work week.	

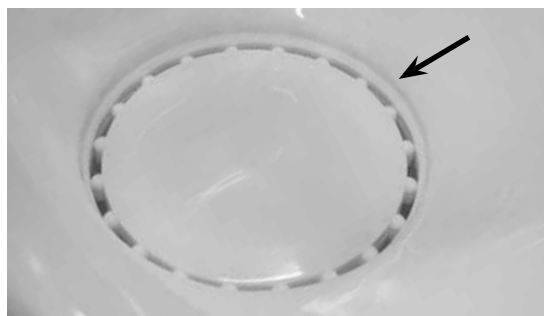
1. Screw the *PortionAid* onto a *BlueSeal*® litre bottle.
2. Squeeze bottle to measure out 90ml of *BlueSeal*® into the *PortionAid*.

3. Pour *BlueSeal*® directly into *EcoTrap*® towards back of urinal.

Task Time: 20 Seconds



Incorrect Seating (above rim)



Correct Seating (below rim)

Cleaning Instructions (Traditional):

1. Remove any foreign objects and other debris from base of urinal bowl.
2. Use only non-abrasive cleaners and a soft sponge/mop on urinal surfaces for cleaning.
3. Use cleaner on wet sponge, cloth, or mop. Then wipe clean all surfaces of urinal, especially the lower front.
4. Dry all surfaces with a soft cloth or soft rag.

Cleaning Instructions (NviroClean™):

1. Remove any foreign objects and other debris from base of urinal bowl.
2. Spray NviroClean™ liberally on urinal surface starting at the top and working your way down to the plastic trap insert. Cleaning should take place once or twice a day or as wash-room traffic dictates. **DO NOT WIPE OFF OR SCRUB.**
3. Do not use any other cleaners while using NviroClean™.

MAINTENANCE INSTRUCTIONS

ECOTRAP® EXCHANGE



REMOVE OR EXCHANGE EcoTrap® ONLY WHEN NEEDED, i.e. slow urine flow or pooling. The table below shows approximate intervals.

1. Have the X-Traptor® tool, new EcoTrap®, a plastic bag, and a deodorizer ready and on hand.
2. Insert X-Traptor® into trap slots and engage on knobs.
3. While slowly pulling up, wiggle tool side to side to loosen EcoTrap®.
DO NOT PULL STRAIGHT UP! Once the EcoTrap® is removed, spray some deodorizer into the drain.
4. With EcoTrap® still on X-Traptor®, pour liquid contents into the open drain hole of urinal.
5. Deposit used EcoTrap® in plastic bag. Disengage and remove X-Traptor®.
6. Seal the plastic bag and discard in locally appropriate manner.
7. Loosen any sediment accumulation in drain hole with any long object.
8. Pour a full bucket, approx. 9 litres, of preferably hot water into drain hole of urinal to flush sediments from waste line before inserting new EcoTrap®.
9. Take new EcoTrap® and fill with water under faucet in sink. Then set EcoTrap® insert into trapway. **Push EcoTrap® down, below rim of trapway.**
10. **Add 90ml of BlueSeal®. Done!**

TASK TIME: 3-4 Minutes

EcoTrap® Replacement Estimated Intervals

Approximate users per day per urinal	EcoTrap® Exchange
1 - 30*	Once a Year
31 - 60*	Twice a Year
61 - 90*	Three Times a Year
91 - 120*	Four Times a Year
* Based on 7,000 uses per urinal and 240 days usage.	

MANUFACTURER'S LIMITED THREE YEAR WARRANTY

Subject to the conditions and discussions set forth herein, Waterless Co. Inc. warrants its No-Flush™ urinals against defects in material or workmanship for a period of three (3) years from date of purchase. Waterless Co. Inc.'s sole obligation under this warranty shall be to repair or replace any part of the product which proves, upon our inspections, to be defective in materials and/or workmanship.

WARRANTY SPECIFIC CONDITIONS:

Failure to comply with any of the following conditions shall void this warranty in its entirety.

1. The attached Warranty Registration Card must be fully completed, contain all required signatures and be mailed by the user/purchaser to Waterless Co. Inc. **within 30 days of the date of purchase.**
2. The urinal must be properly installed and operational instructions must be followed as outlined in the enclosed instructions of each urinal shipment, including the use of only authorized liquids and trap inserts, specifically BlueSeal® and EcoTrap®. Use of any other liquids or trap inserts specifically voids this warranty. Reinstatement fee may apply.
3. Repairs or replacements to the urinals or its component parts must be performed only by authorized representatives of Waterless Co. Inc., or its authorized service technicians.

WARRANTY EXCLUSIONS:

This warranty does not cover damage resulting from transit, accidents, acts of God, misuse, unauthorized repairs, negligence, modifications, tampering, disconnection, improper adjustments, improper care or maintenance, improper installation, and out-of-warranty service.

Any implied warranty of merchantability or fitness for a particular purpose applicable to this product is limited to the duration of this written warranty.

Waterless Co. Inc. shall not be liable for incidental or consequential damages resulting from breach of this written warranty or any implied warranty.

The performance of repairs or needed adjustments shall be the exclusive remedy to the user/purchaser under this written warranty or any implied warranty.

This warranty gives you specific rights. You may have additional rights which vary from state to state. No person shall be authorized to change, add to, or create any warranty or obligation other than set forth herein.

RETURN POLICY:

ALL RETURNS MUST RECEIVE PRIOR APPROVAL BY WATERLESS CO. INC.

Upon receipt of product, note any damages or discrepancies. Please call Waterless Co. Inc. within 10 days of receipt of product to obtain a Return Merchandise Authorization (RMA) form. Complete and return RMA within 48 hours. Return product based upon RMA needs, to be received within 10 days of issuance of RMA. Any delays may cause a reduced or denial of damage or discrepancy. Unless damaged or incorrectly delivered, a re-stocking fee will apply. Return shipping to be paid by customer, unless stated otherwise by Waterless Co. Inc.

To obtain RMA authorization, please call 0418 531 025.